



# ENTEK

RAISING EXPECTATIONS.  
KEEPING THEM THERE.

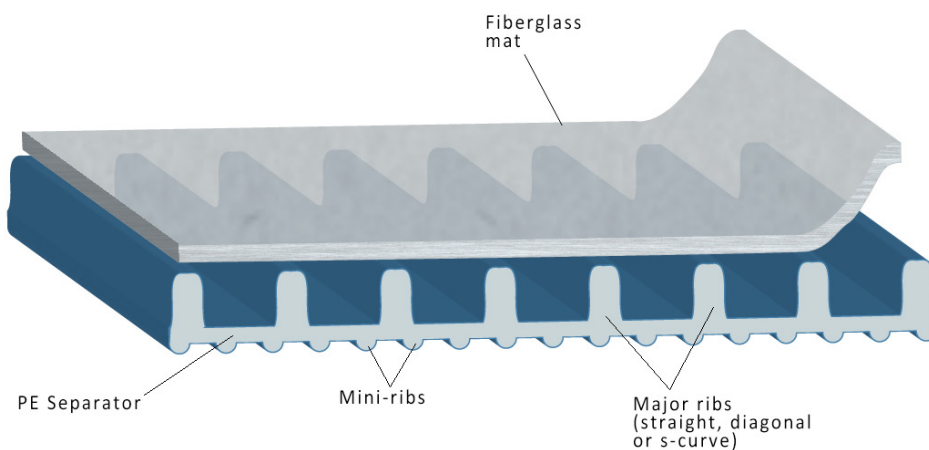


## ENTEK PE Glassmat

**ENTEK's world-class battery separators add power and reliability to your heavy duty batteries. Our best-in-class technology and unmatched customization give you maximum control over performance.**

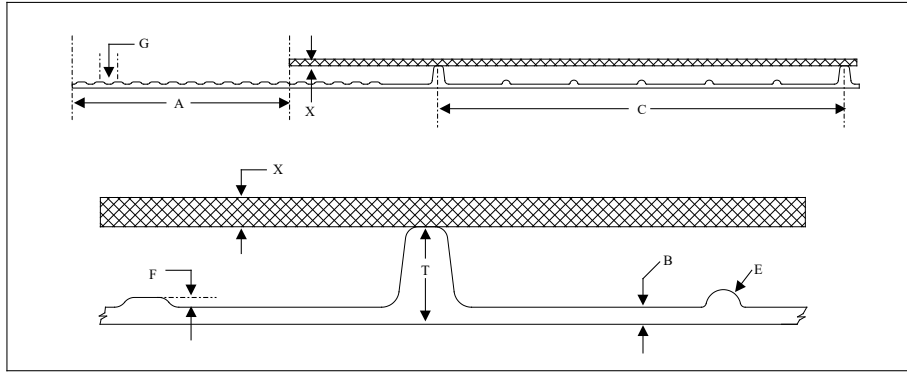
ENTEK PE Glassmat separator consists of a 100% glass fiber retainer mat laminated to the polyethylene separator. This is achieved by using a purpose-built laminating machine to apply a special adhesive to the ribs of the separator, and laminating the glass mat to the separator ribs. The resultant laminated separator material is supplied to the customer in roll form. It can therefore be used on enveloping machines in the same way as the standard polyethylene separator material.

ENTEK PE Glassmat should be specified in battery applications where an exceptionally heavy duty cycle is anticipated e.g. regular deep discharges. Examples include buses, taxis, commercial vehicles etc. The glass retainer mat in contact with the positive plate helps to protect the active material against shedding in deep discharge and high vibration conditions.



*ENTEK PE Glassmat helps to extend battery life under arduous operating conditions, e.g. high ambient temperatures and severe vibration.*

## Typical profile drawing and dimensions



		Dimensions - mm	Tolerance
W	Separator Width	Any	± 0.8
T	Thickness	0.6 - 1.4	± 0.08
B	Backweb	0.15 - 0.25	± 0.03
S	Shoulder	16.5	± 4.5
C	Major Rib Spacing	18.14	(@160mm)
D	Mini-rib Spacing	3.02	(@160mm)
E	Mini-rib Radius	0.18	
F	Shoulder Rib Height	0.10	
G	Shoulder Rib Spacing	0.825	
A	Land Area	5.0	

(Typical dimensions as shown; other profiles may be available)

PE Glassmat - Key technical data @ 0.15mm backweb (Base material only)			
		Nominal Value	Tolerance
Moisture	%	4	5 max
Oil content	%	-	22 max
Electrical Resistance	$\Omega\text{cm}^2$	0.065	0.08 max
Elongation XMD	%	400	200 min
Puncture	N	6.5	5 min
Porosity	%	55	± 6

(Maximum ER dependent on profile)

ENTEK'S commitment to innovation in battery separator technology and extruders keeps production lines humming around the globe. But it's our customer service that's fueled our rapid expansion. For over 30 years, we've helped customers exceed their business objectives. How can we help you?

+1 541 259 3901 (US)  
 +44 (0) 191 268 5054 (UK)  
 +65 6956 6119 (Singapore)  
[www.entek.com](http://www.entek.com)

 **ENTEK**  
 RAISING EXPECTATIONS. KEEPING THEM THERE.